

**ISIMET**  
**DLA Series Controller**  
**For Institutional Facilities**  
**Including Healthcare Facilities and**  
**Drug Testing Laboratories**



**ENCLOSED INDUSTRIAL CONTROL PANEL NO. E-258342**  
**Meets all Standards for Canadian Industrial Control Panels**



**Application:**

The DLA Series Controller is used to operate remotely located 12-vdc latching solenoids for domestic water services in Healthcare Facilities or in a Drug Testing Laboratory.

This unit is provided with ISIMET latching circuit boards that permit a signal to latch the solenoids ON and OFF, controlling the water supply to the restroom facility. In the case of patient rooms in a Healthcare Facility the ON circuit on the primary pcb enables the water to be turned ON and OFF either remotely or locally. For Drug Testing Labs, the unit is intended to control the water flow to the restroom where drug samples are deposited. One board is designated to operate ON-OFF the water supply valves. A secondary board permits solenoids to operate ON when the primary solenoids are OFF, thus allowing for drain-down of the piping. (MAX four solenoids per circuit board)

The unit conforms to all requirements of UL 508-A for Industrial Control Panels.

**Features:**

- Panic Button: Disengages the system; requiring key activation.
- Push Button or Key Switch: Activates the system each time a circuit is to be engaged.
- Control Switch: Activates a circuit with key activation or deactivates to OFF.
- Panel Mounted LEDs: Indicates the circuit is active.
- Integrated operating system inputs including building automation.
- Integrated notification output circuits.

\* All Standard Styles are provided with Panic Button Assembly

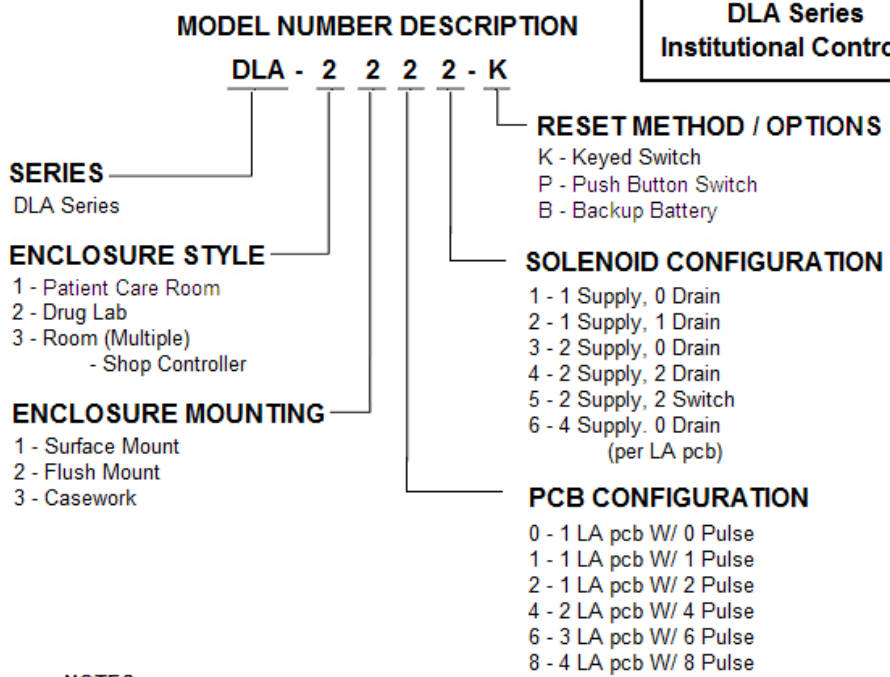
**Styles 1 & 2 Specifications:**

- Integral 5 amp rated circuit service switch / j-box / transformer / pcb
- Control Panel - Stainless Steel 16 gauge W/ removable concealed hinge and gasket.
- Captive screws secure panel to enclosure.
- Wall Box Enclosure – 16 gauge powder coated sheet metal
- Enclosure Size W/ Pulse - 6.0 X 14.25 X 4
- Enclosure Size W/O Pulse - 6.0 X 12.25 X 4
- Unit performs as a single circuit Controller of water services W/ monitoring beacon output.

**Style 3 Specifications:**

- Integral 15 amp rated circuit service switch / j-box / transformer / pcb
- Control Panel - Stainless Steel 16 gauge
- Wall Box Enclosure – 16 gauge powder coated sheet metal
- Enclosure size - 16 X 14 X 6 for up to 4 circuits, 18 X 18 X 6 for 6-8 circuits, and 24 X 24 X 6 for Custom Assemblies.
- Unit performs as a multiple circuit Controller of water services.

**DLA Series  
Institutional Controller**



**NOTES:**  
 Style 1 is limited to 4 Solenoids W/ PCB Configuration 0, 1 & 2 only.  
 Style 2 is limited to 4 Solenoids W/ PCB Configuration 0 & 1  
 Styles 1 & 2 are provided W/ Monitoring Output Circuits.  
 Except Style 1 that is provided W/ 2 switches.  
 Style 3 is intended for use in multi-patient room environment where water supplies are to turn ON & OFF remotely.  
 PCB Configuration 0 is intended for use with ISIMET S-Series enclosures having Latching Solenoids and Pulse PCB included.  
 All solenoids for DLA Units should utilize ISIMET 12 VDC Latching Coils.  
 PCB Configurations 4, 6, & 8 also indicate the number of switches for specific patient rooms.

**Mounting Variations:**

Casework: Wall Box is provided with flange to permit mounting from the outer casework surface. (Styles 1 & 2 only)  
 Flush Wall Mount: Wall Box is provided with a wall mounting flange and hardware.  
 Surface Mount: Wall Box is provided with a wall mounting flange and hardware.  
 \*A Stainless Steel skirt is provided to conceal the wall box for Styles 1 & 2.  
 Rough-in Boxes are available for Styles 1 & 2.  
 All units are available optionally with 2 hour fire rating.

Styles	# LA PCB	# Pulse PCB	# Output Circuits MAX.	Switch Fuse	Output Rating	Transformer	Relay Rating
DLA -1	1	0 or 1	2 @ 24 vac	5 amp	2 amp @ 24 vac	2 amp @ 25	2 amp @ 24 vac
DLA -1	1	2	2 @ 24 vac	5 amp	2 amp @ 24 vac	3 amp @ 25	2 amp @ 24 vac
DLA -2	1	1	2 @ 24 vac	5 amp	3 amp @ 24 vac	3 amp @ 25	2 amp @ 24 vac
DLA -3	2	2	4 @ 24 vac	15 amp	4 amp @ 24 vac	4 amp @ 25	4 X 2 amp @ 24 vac
DLA -3	3	6	6 @ 24 vac	15 amp	6 amp @ 24 vac	2- 3 amp	6 X 2 amp @ 24 vac
DLA -3	4	8	8 @ 24 vac	20 amp	8 amp @ 24 vac	2-4 amp @ 25	8 X 2 amp @ 24 vac



### DLA Series – Styles 1 & 2

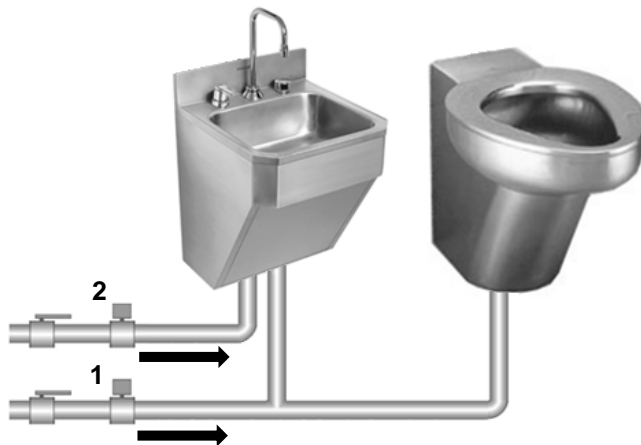
Designed for single room control of water supply to Patient Rooms in Healthcare Facilities and Drug Testing Laboratories.



### DLA Series – Style 3

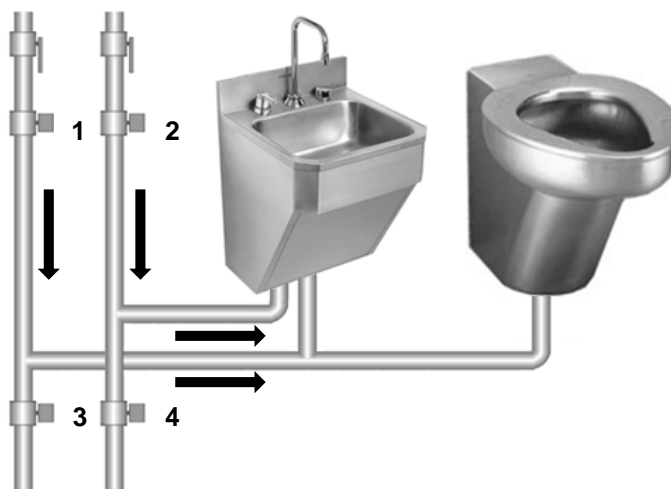
Designed for multiple room control of water supply to Patient Rooms in Healthcare Facilities. Custom assemblies are available.

### Piping Illustration for Styles 1 & 3



**Operation:** Solenoids 1 (Cold Water Supply) and 2 (Hot Water Supply) will **OPEN** when the Service Switch is turned **ON** and the Service Key is activated. Solenoids 1 and 2 will **CLOSE** when the Service Switch is turned **OFF** or the Panic Button is pressed.

### Piping Illustration for Style 2



**\*Discharge from Solenoids 3 & 4 must be run to open site drain with approved air gap.**

**Operation:** Solenoids 1 (Cold Water Supply) and 2 (Hot Water Supply) will **OPEN** when the Service Switch is turned **ON** and the Service Key is activated. Solenoids 1 and 2 will **CLOSE** when the Service Switch is turned **OFF** or the Panic Button is pressed. Solenoids 3 (Cold Water Drain-Down) and 4 (Hot Water Drain-Down) will **CLOSE** when the Service Switch is turned **ON** and the Service Key is activated. Solenoids 3 and 4 will **OPEN** when the Service Switch is turned **OFF** or the Panic Button is pressed.

**NOTE:** Arrows represent the direction of water flow.

***ISIMET* believes that sole and local authority means that the primary operator should have the sole authority to start and stop the utility services within the immediate area of use during normal usage. This should distinguish this type of operating environment from that where a single emergency shut-down device is located remotely from the areas of use.**

**Additionally, the operation of emergency devices including emergency showers and eyewashes should not be integrated with this system for either activation or deactivation.**



**ISIMET, LLC**

**PO Box 129 (Mailing)  
103 W. CJ Wise Parkway  
Naples, TX 75568**

**(903) 897-0737  
Fax (903) 897-0740**

**[www.ISIMET.com](http://www.ISIMET.com)**

**Innovative Systems  
Integrating  
Mechanical and Electrical  
Technology**