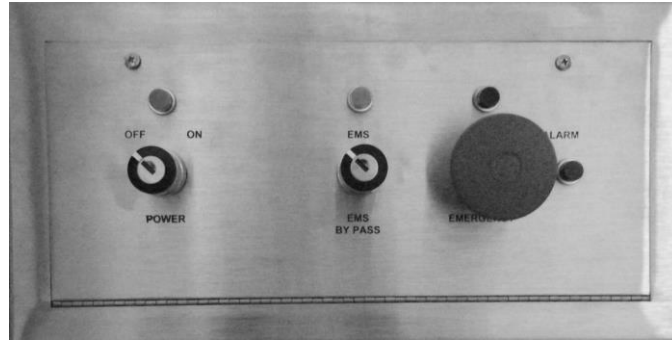


ISIMET

ITC 1-2 Controller

Integration Time Controller



Style 1



ENCLOSED INDUSTRIAL CONTROL PANEL NO. E-258342
Meets all Standards for Canadian Industrial Control Panels

* See Mounting notation below. Image is of a Style 1 - UL

Application:

Style 1 of the Integration Time Controller is utilized to provide either a ‘HUB’ or ‘EMS’ Output along with ‘Alarm’ Input/Output HUB to provide those integration services to a group of ISIMET Controllers.

Styles 2 and 3 Provides the means whereby a water solenoid can be cycled ON and OFF for a brief period periodically in order to circulate or flush a water system. Style 3 is provided with a single solenoid within the enclosure.

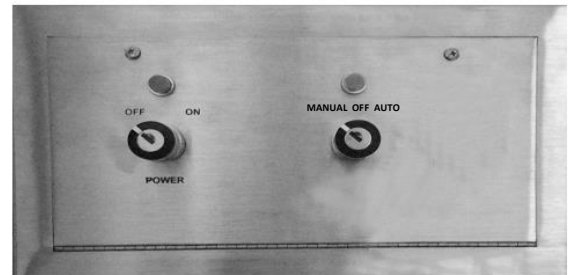
Units with Enclosure Mounting 2, 3, 4 & 5 conforms to all requirements of UL 508-A for Industrial Control Panels.

Style 1 Features:

- Panic Button: Disengages the system; requiring key activation.
- Keyed Power Switch with Green Panel Indicator.
- Optional Override Switch
- Orange ‘EMS’ Output Active Panel Indicator.
- Red ‘Panic’ and ‘Alarm’ Panel Indicators.

Style 2 & 3 Features:

- Keyed Power Switch with Green Panel Indicator.
- 3 Way Switch (‘Manual-OFF-Auto’)
- Orange Output Active Panel Indicator.

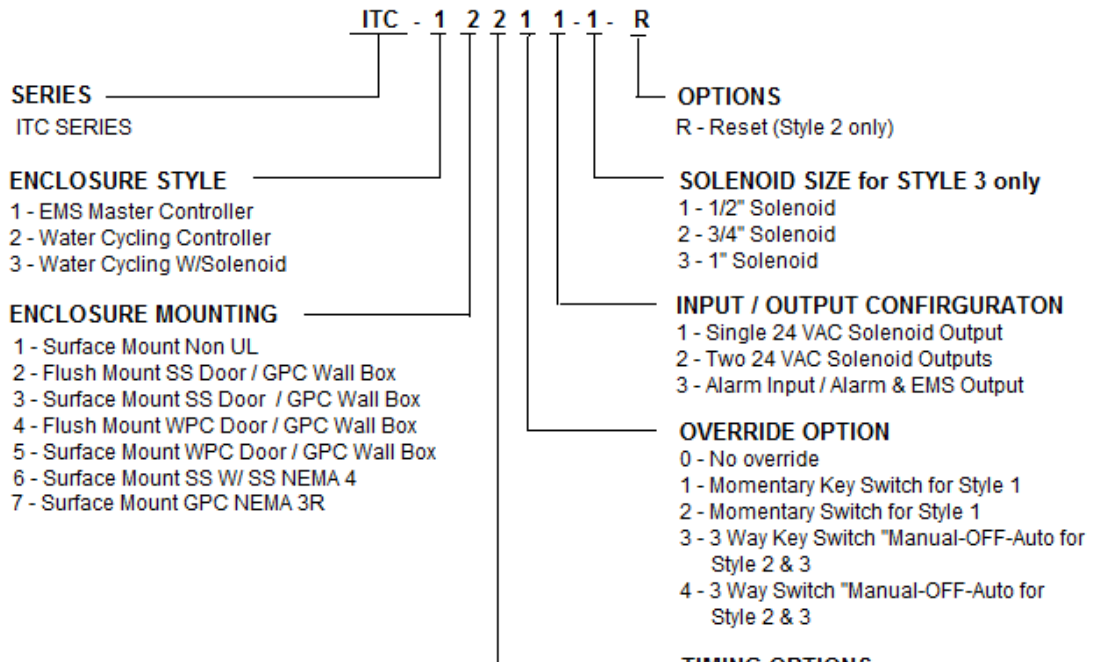


Style 2

Style	Enclosure Dimensions	# Output Circuits	Transformer	Switch\ Breaker	Output Rating (Standard)	MAX # of Solenoids @ Output
1	6.0 X 14.25 X 4	1 @ 24 vac	2 amp	5 amp	2 amp @ 24 vac	N/A
2	6.0 X 12.25 X 4	1 @ 24 vac	2 amp	5 amp	2 amp @ 24 vac	1
2	6.0 X 12.25 X 4	2 @ 24 vac	3 amp	5 amp	2 amp @ 24 vac	2

NOTE: All dimensions are in inches.

**INTEGRATION TIME CONTROLLER
MODEL NUMBER DESCRIPTION**



Notes:

Mounting Styles 2 through 5 are UL Listed.
 Mounting Styles 4 and 5 are available for Enclosure Style 3 only.
 Timing Options 0 through 3 are for Enclosure Style 1 only.
 Timing Options 4 through 7 are for Enclosure Styles 2 and 3 only
 Style 1 provides 24 vac 'EMS' & 'Alarm' Output Signals only.
 Override Options 1 and 2 activate the EMS output on Enclosure Style 1 for a predetermined length of time. Style 2 provides 24 vac Output to operate up to two general service solenoid for domestic water applications. Units with two outputs are provided with a 3-way switch for each output. Resets will be required for Style 2.
 Wall Box – 16 gauge powder coated sheet metal

Mounting Variations:

Flush Wall Mount: Wall Box is provided with a wall mounting flange and hardware.
 Surface Mount: Wall Box is provided with a wall mounting flange and hardware.
 UL Listed units are provided with a stainless steel skirt to conceal the wall box.

Styles 1 and 2 can utilize the ISIMET Rough-in Box.

ISIMET/MAPA, LLC
103 W. CJ Wise Parkway
PO Box 129 (Mailing)
Naples, TX 75568

(903) 897-0737 Fax (903) 897-0740
www.ISIMET.com