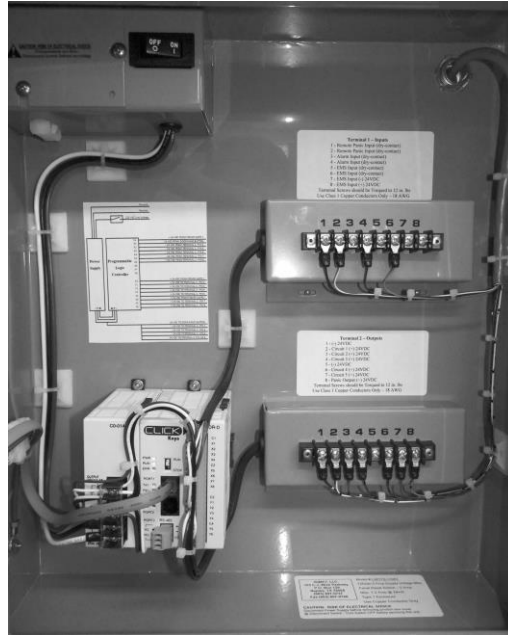


ISIMET

KITCHEN HOOD CONTROLLER



ENCLOSED INDUSTRIAL CONTROL PANEL NO. E-258342
Meets all Standards for Canadian Industrial Control Panels

Board Certified by the Commonwealth of Massachusetts
to Control Commercial Kitchen Hoods and Exhaust



Application:

The ISIMET Kitchen Hood Controller is designed to provide an interlock between the cooking equipment and ventilation systems in commercial kitchens. The standard controller can be configured to meet code requirements for all states and offers a variety of inputs and outputs to operate additional accessories. It is designed to constantly monitor sensors to ensure that the connected equipment is working properly. If equipment failure occurs, the controller will automatically shut down or activate services to address each type of failure.

Note: The Kitchen Hood Controller must be used in conjunction with ISIMET LA Independent Wall Panel.

UL Listing:

Product is in compliance with the Industrial Control Panels, UL-508A Standard.

Enclosure Specifications and Dimensions:

The 18x18x4 NEMA 1 enclosure with hinged lockable door may be either surface or flush mounted.

These units are not intended for direct exposure to wet conditions.

The enclosure is available in Gray Powder Coat with White Powder Coat Door, Gray Powder Coat with Brushed Stainless Steel Door, Gray Powder Coat with Gray Powder Coat Door and Stainless Steel with Brushed Stainless Steel Door.

Electrical:

120V-15A Circuit Supply Voltage Required. Protection is provided by an Internal 5A Circuit Breaker Switch.

*All Service outputs are designed only to operate 24 Volt relays.

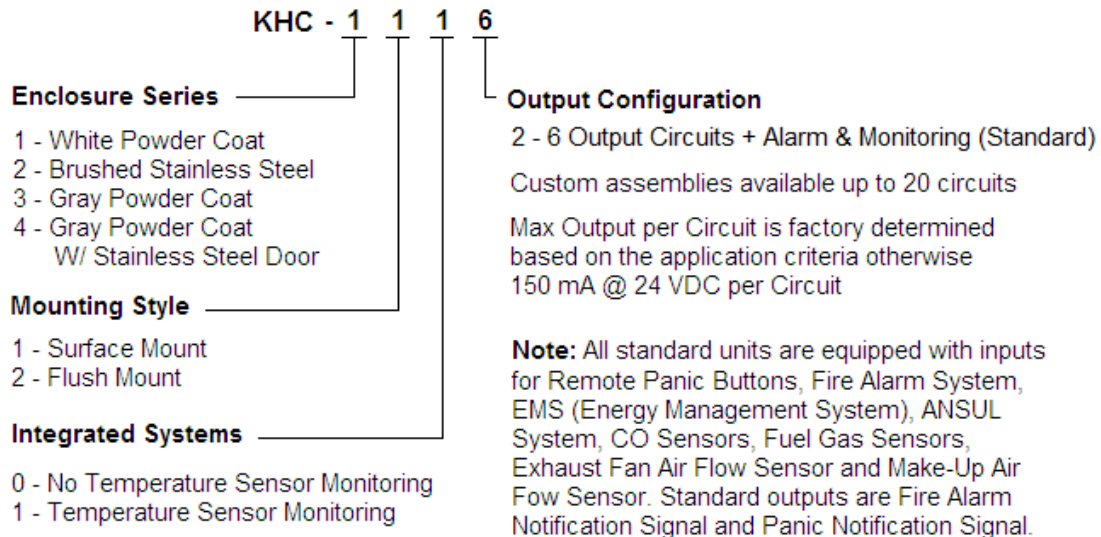
Standard Inputs and Outputs

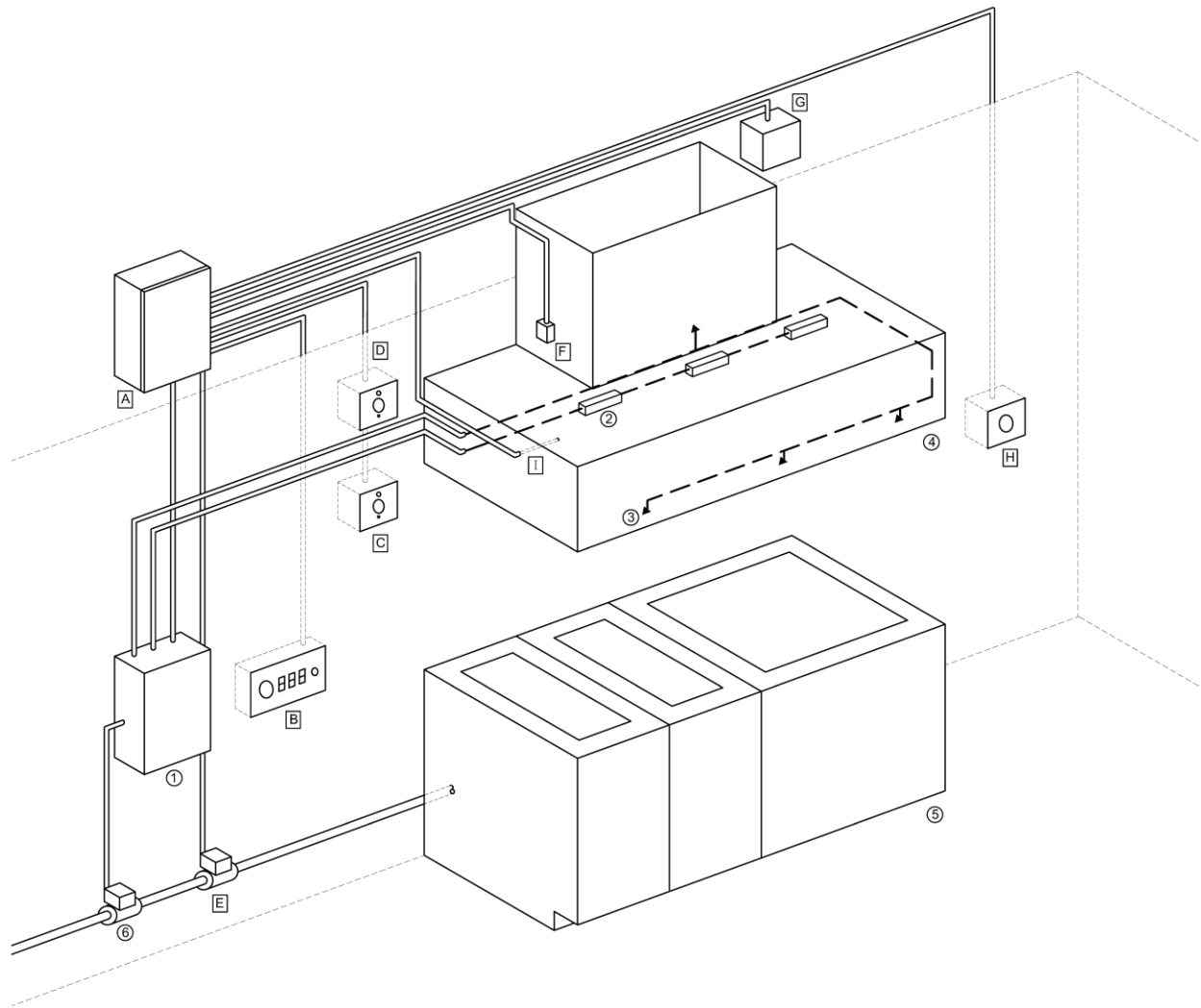
Inputs	Function
Remote Panic	Allows a remote “Panic” mushroom button to shut down the system in an emergency.
Fire Alarm	Allows the controller to be integrated to the building’s Fire Alarm System.
Building Management	Allows the controller to be integrated to the Building Management System.
ANSUL	Allows the controller to be integrated with an ANSUL Fire Suppression System.
CO Sensor	Allows the CO sensor to notify that high carbon monoxide levels have been detected.
Fuel Gas Sensor	Allows the Fuel Gas Sensor to notify that raw gas has been detected.
Temperature #1	Notifies the controller that a predetermined temperature has been met.
Temperature #2	Notifies the controller that a predetermined temperature has been met.
Exhaust Fan Flow	Notifies the controller that the Exhaust Fan is operating properly.
Make-Up Air Flow	Notifies the controller that the Make-Up Air Fan is operating properly.

Outputs	Function
Fuel Gas Solenoid	Provides a signal to operate the Fuel Gas Supply Solenoid
Pilot Solenoid	Provides a signal to operate the Pilot Supply Solenoid. (Used only if allowed by code)
Hood Lighting	Provides a signal to operate the hood mounted lighting.
Exhaust Fan	Provides a signal to operate the Exhaust Fan.
Make-Up Air Fan	Provides a signal to operate the Make-Up Air Fan.
Electrical Contactor	Provides a signal to operate an Electrical Contactor for service outlets or other equipment.
Beacon Monitoring	Permits the controller to be monitored by a beacon and/or sounder in cases of emergency.
Fire Alarm	Provides a notification signal to the Fire Alarm System and ANSUL Fire Suppression System when there is an emergency situation.

*Outputs can be programmed to meet each customer’s specific needs.

KITCHEN HOOD CONTROLLER HUB MODEL NUMBER DESCRIPTION





ISIMET Equipment

A – Kitchen Hood Controller Hub
ISIMET P/N – KHC 111X

B – Independent Wall Panel
ISIMET P/N – LAIP-621X

C – CO Sensor
ISIMET or Equivalent

D – Fuel Gas Sensor
ISIMET P/N – FGS-1211

E – Fuel Gas Solenoid – N/C
ISIMET P/N – S-30X-120 Volt

F – Air-Flow Proving Switch
ISIMET P/N - IPS

G – Relay Enclosure
ISIMET P/N – IRE/XS

H – Remote Emergency Pushbutton
ISIMET P/N – IP-O

I – Temperature Sensor Probe
 (Included in models with
 Temperature Sensor Monitoring)

Non-ISIMET Equipment

1 – Fire Suppression
 System Controller

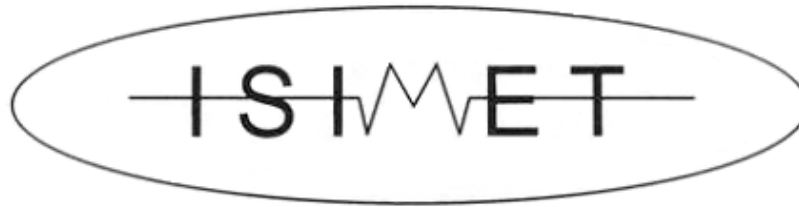
2 – Fusible Link Suppression
 System Detector

3 – Suppression System
 Discharge Nozzle

4 – Commercial Kitchen
 Hood

5 – Gas Fired Equipment

6 – Manual Reset Gas Solenoid



ISIMET, LLC

**PO Box 129 (Mailing)
103 W. CJ Wise Parkway
Naples, TX 75568**

**(903) 897-0737
Fax (903) 897-0740**

**Innovative Systems
Integrating
Mechanical and Electrical
Technology**