

## ISIMET Pedestal Starter Controller

The ISIMET Pedestal Mounted Starter Disconnect provides local service control of 3 phase roof mounted exhaust fans. The Stainless Steel Shroud with integrally welded deck flange enables a positive weather-tight flash of the unit to the roof membrane without the need for additional flashing or pitch-pan.

The need to interrupt electrical service remotely in case of equipment change-out can be avoided since service disconnect is mounted adjacent to rather than onto the equipment. Optional features include GFCI duplex receptacle and lightning surge arrester.

Line voltage is housed within the Pedestal in flexible conduit and is sized according to current NEC requirements. Panel is provided with Panel Operating Switch(s) and indicator lamps to operate the starter.

### Enclosure Specifications:

NEMA 3R gray powder coated Enclosure with VFD or Square D Starter Disconnect is mounted to the Stainless Steel Pedestal with Integral Power and Control Wiring.

The Starter is provided with an integral 24 VAC control circuit board capable of providing control to both single and dual speed starters. Control wiring is routed within conduit to the base of the Pedestal.

### Starter Options:

The Starter Series is standard provided with a 30 amp MAX Variable Frequency Drive or VFD. Optionally a DIN Rail Starter or a basic Starter may be supplied.

### Circuit Protection Options:

Circuit Protection is provided via circuit breaker specifically intended for use with Starters and VFD's. Optional Fused Disconnect may be supplied for the unit.

### Terminal Cables:

Termination Cables are optionally included with the Unit. These flexible water-proof cables make connection to the Fan faster and less complicated. They are available in two lengths and two sets of wiring options. They are provided with termination fitting for connection to the roof mounted fan.



#### **Important!**

All local electrical codes must be followed when installing this enclosure and making the wiring connections. Verify that the electrical supply is disconnected prior to making the wiring connections or servicing enclosure.

## Optional Features:

**GFCI:** A GFCI receptacle may be supplied for convenience during maintenance.

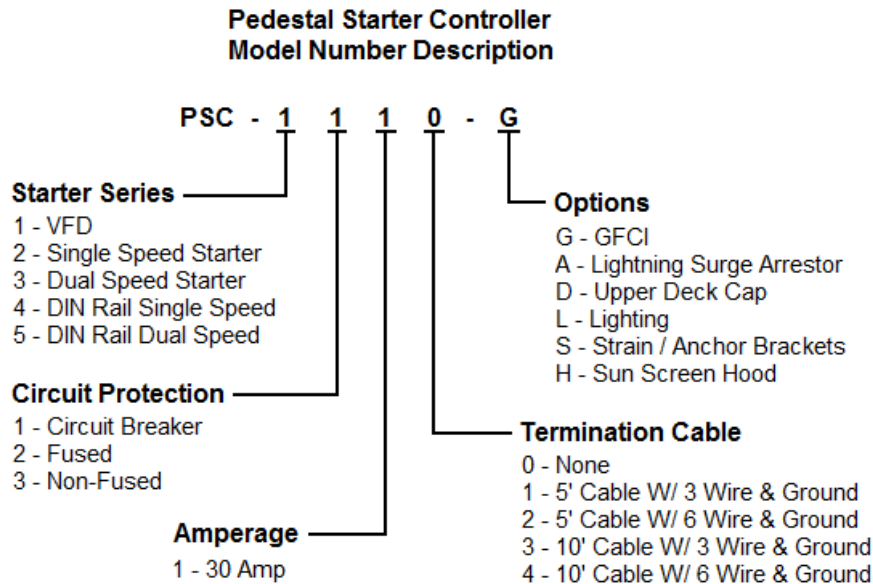
**Lightning Surge Arrestor:** The Unit can be equipped with surge protector.

**Upper Deck Cap:** In lieu of the standard flashing, a deck cap may be supplied where by the Unit will mount atop a field provided 12" X 12" roof curb.

**Lighting:** Two weather-tight spotlights with switch can be provided to enable nighttime maintenance.

**Strain / Anchor Brackets:** These brackets when attached to Strut and attached to a MAPA Products MX-xxx will provide added stability to the Pedestal.

**Hood:** Units equipped with VFD's are provided with heater, circulation fan and Protective Removable Hood in order to protect the unit from extreme rooftop weather conditions.



### NOTES:

VFD & DIN Rail Units are provided with Circuit Breakers or Switches specifically intended for use with Starters & Variable Frequency Drives "VFD".

Fused Circuit Protection option is for Series 2 & 3 only.

Non-Fused Circuit Protection is for Series 2 only.

Strain / Anchor Brackets are sold separately and are intended to be used with field provided Start to provide balance and added support to the Pedestal.

Lighting option provides a work light with switch for service purposes.

VFD Units are provided with Heater and Circulating Fan.

Specify specific amperage for Circuit Protection and Operation as suffix when ordering.

All Units are NEMA 3R.

## Wiring Information and Instructions:

Enclosures are provided with ISIMET V5 Control Circuit Board.

Field wiring required from base of Starter Unit to 3 Phase power source.

**Caution:** Only connect 24 vac control wiring from Utility Controller output circuits to input terminal at the control pcb.

**Grounding:** Enclosure should be grounded by terminating service ground wire to enclosure at grounding lug.

Recommend maximum 30-amp breaker at Load Center.



**ISIMET, LLC**  
103 C. J. Wise Parkway  
Naples, TX 75568

(903)897-0737  
Fax (903)897-0740  
[www.ISIMET.com](http://www.ISIMET.com)