

# *ISIMET*

## RA TOUCHSCREEN CONTROLLER



### **Application:**

The RA/TS Utility Controller was designed to provide Laboratories and Classrooms with a more modern and user friendly system to control Gas, Water, and Electrical Services. RA/TS Controllers provide up to four specific classrooms to selection and will put instructors in full control of the utilities in that classroom. An integrated Passcode system retains the safety of keyed systems but eliminates the need for each user to keep up with service keys. Separate Panic Buttons may be placed in each classroom that will provide for shutdown of the utilities within that specific classroom. The door panel Panic Button will shut down all utilities within all connected classrooms.

### **UL Listing:**

Product is in compliance with the Industrial Control Panels, UL-508A Standard.

### **Enclosure Specifications and Dimensions:**

The 16x14x4 NEMA 1 enclosure may be either surface or flush mounted.

These units are not suitable for direct exposure to wet conditions.

The enclosure is available in Gray Powder Coat with White Powder Coat Door or Stainless Steel with Brushed Stainless Steel Door.

### **Electrical:**

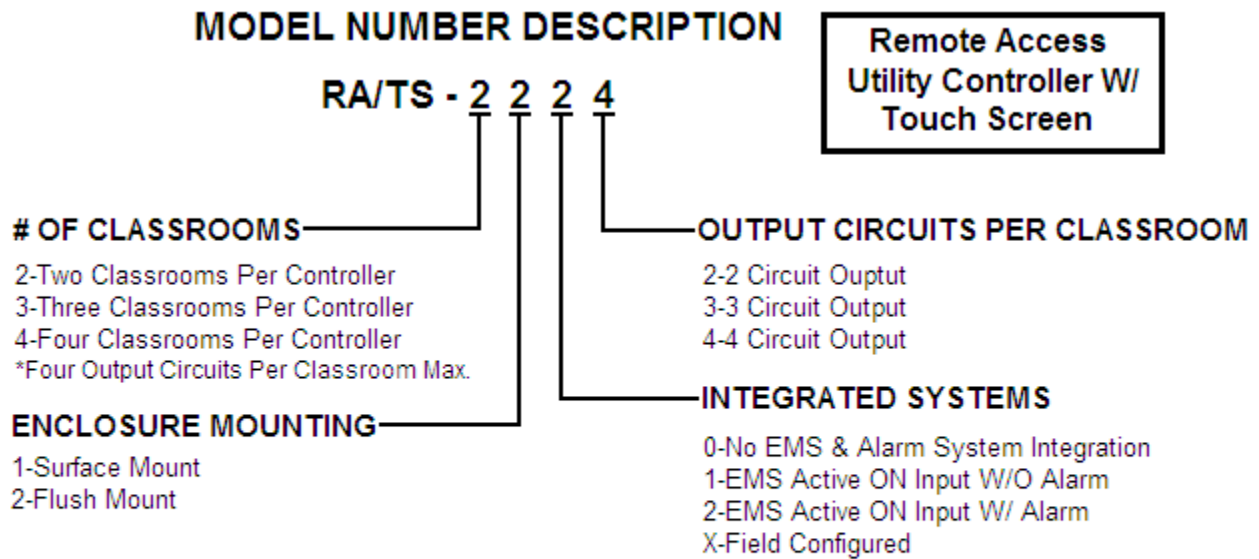
120V-15A Max. Circuit Supply Voltage Required. Protection is provided by an Internal 5A Circuit Breaker Switch.

The LSP/TS Controller utilizes a 6" Color Touch Panel to control services in lieu of our standard switched door panels. The Color Touch Panel may be installed in the door panel or in an optional desktop mounted enclosure.

Standard LSP/TS Controllers are able to control up to five Service Outputs and one Panic Notification Output.

Standard LSP/TS Controllers are also equipped with inputs for Secondary Panic Signals, Alarm Signals, and Energy Management Systems (EMS).

**Touchscreen Features:** The 6" Color Touch Panel allows the controller to operate just like our standard switched door panel, but adds several new features. An integrated Passcode System will prevent any unauthorized use of the controller and no longer require the use of service keys. Once the Passcode is entered, the user can turn On/Off services independently with on-screen controls. Users will also benefit from the notification screens that display the status of the controller if the system receives a Panic, Alarm, or EMS signal. If the user deactivates the system or the system is shut down by a Panic, Alarm, or EMS signal, the Passcode must be entered to turn the services on again.



Note: All output circuits are low amperage.  
Interface relays are required for solenoid operation.

**NOTE:** Internal Power Supply rated at 1.3 Amps @ 24 VDC

All service outputs are only used to activate external 24 Volt control relays. When ordered with ISIMET S-Series and E-Series, relays will be provided in these enclosures.

**ISIMET, LLC**  
**103 W. CJ Wise Parkway**  
**PO Box 129 (Mailing)**  
**Naples, TX 75568**

**(903) 897-0737 Fax (903) 897-0740**  
**www.ISIMET.com**