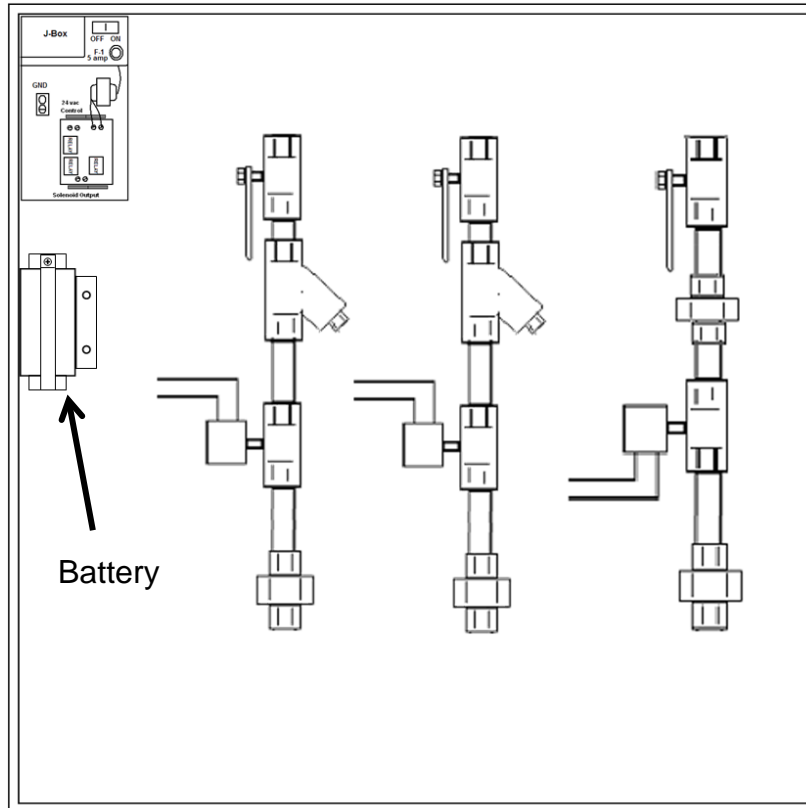




S-Series With Battery Back Up Battery Replacement



1. Turn Power Switch OFF.
2. Disconnect battery connectors.
3. Remove two (2) battery hold down screws.
4. Remove hold down bracket.
5. Pull battery from inside out of box by sliding it toward you.
6. Install new battery.
7. Replace hold down bracket.
8. Replace two (2) battery hold down screws.
9. Reinstall battery connectors.
10. Dispose of old battery properly.

WARNING: The battery is polarized. Markings on top of battery are "+" and "-". The red wire MUST be connected to the positive "+" terminal.

CAUTION - Risk of Explosion if battery is replaced by an incorrect type. Dispose of used batteries according to requirements as stated by EPA and other governing authorities.