

ISIMET

Model IP0-K

Remote Panic Button Assembly

Installation Instructions

ISIMET

**103 C.J. Wise Parkway
Naples, TX 75568
(903) 897-0737
(903) 897-0740 fax**

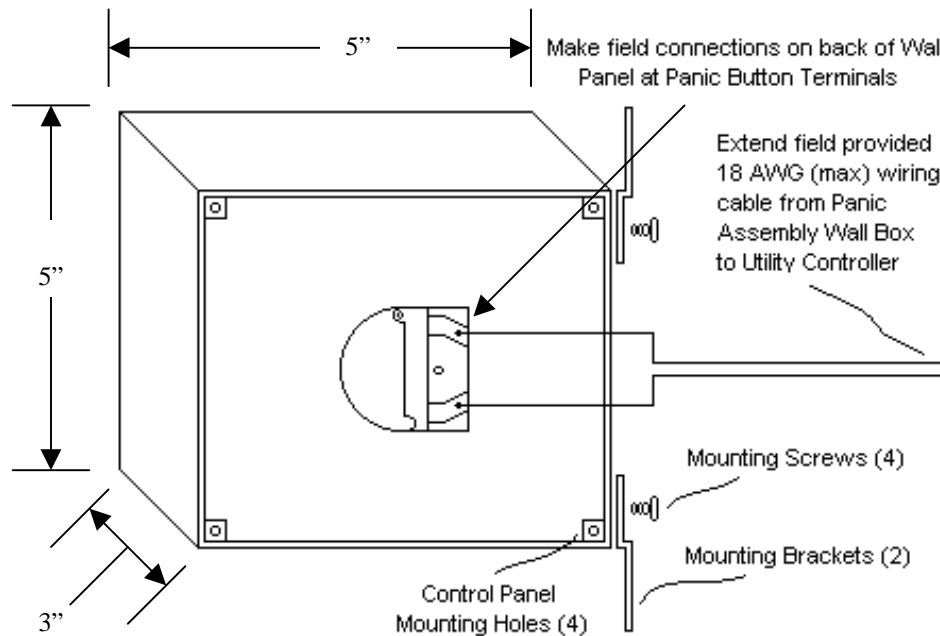
The *ISIMET* Remote Panic Assembly features a Square-D Maintained, Keyed Reset Mushroom Panic Button mounted onto a Stainless Steel Wall Panel. A wall box with mounting brackets and an interface relay is provided. The unit is provided with one set each of normally open and normally closed contacts.

The unit is intended for use where the facility administration does not deem that a digital control is necessary to insure safety for the occupants.

We recommend that the unit be mounted in a highly visible location near an exit and as recommended by ADA or other governing authorities.

Mounting the Wall Box:

Using the provided mounting brackets and screws, secure the unit within the wall cavity with the face of the box extending to the wall surface. We recommend that you tape over or otherwise protect the interior of the box during the construction phase.



Wiring the Panic Assembly Panel to the Wall Box:

Holding the panel in front of the wall box, make wiring connections as shown in the drawing. Attach the panel to the box using the four (4) provided stainless screws and hex wrench.

Clear Flip-up Protective Cover:

If Clear Flip-up Cover (Suffix "C") is included, cover will be factory mounted on panel.

Wiring the Unit:

120-vac Applications:

The unit serves as a mechanical switch to operate a device. When the button is depressed, the normally closed contacts open, breaching the circuit. The normally open contacts will open.

24-vac Applications:

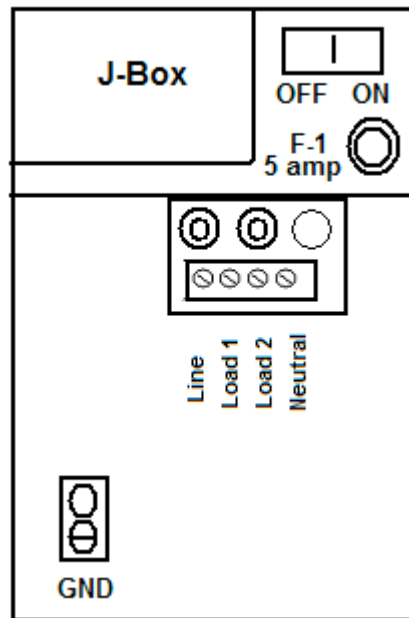
A power supply with step-down transformer must be included with the unit.

DO NOT route wiring from this device within conduit containing other 120-vac line or 24-vac output control wiring in order to prevent potential malfunctions due to transient voltage.

Typical Wiring of IPO-K at an ISIMET S-Series Enclosure having an independent power supply source.

Line wiring is field provided and connected at the “Line” terminal and then routed through the IPO-K’s normally closed contact. Wiring is returned to the S-Series and terminated at the appropriate terminal, either “Load 1” or “Load 2” or in some cases both.

Where solenoids or enclosures are not provided with a power source, then wiring should be routed from a source through the IPO-K per industry standards.



Contacts located at back of Wall Panel



Test the Unit:

Press the Panic Button until it is maintained depressed. Check the circuit at the controlled device to verify that operating power has been disrupted. Using the provided key, release the button and allow it to spring out. Power to the device should be restored.

The IPO-K Remote Panic Button Assembly is not recommended for use with ISIMET Digital Controllers. Only use Panic Assemblies with momentary buttons where a maintained “Panic” shutdown signal is not required in order to place that unit into a “Panic” mode.