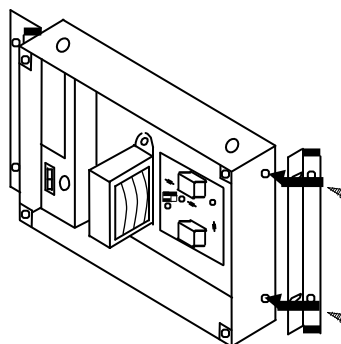


ISIMET

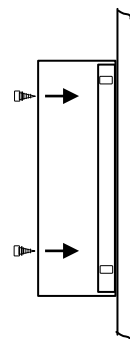
SUPPLEMENTAL CONTROLLER MOUNTING INSTRUCTIONS FOR HORIZONTAL SURFACE MOUNTING OF LA, DLA, ITC UNITS

In order to surface mount the unit, the provided mounting hardware **MUST** be used. Care should be taken not to damage the unit when mounting and to verify the mounting means securely fastens the unit to the wall surface.

Using the provided four (4) #8/32 self-tapping screws, attach the two provided mounting brackets (one on each side) to the side of the controller in the knockouts provided, locating each at the rear of the unit. Screws should be mounted through the slotted side of the mounting bracket.

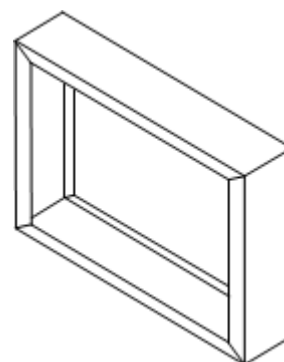


Where indicated on engineering drawings, place unit with mounting brackets attached on wall and level unit. Mark mounting hole locations on wall and remove unit. Drill a pilot hole in designated locations. Mount unit on wall with provided flat head screws.



Input and Output wiring of the controller should be performed at this time. See the Operation, Installation, & Maintenance documentation provided with the controller.

Slide skirt over controller housing. Verify the skirt fits flat against the wall. The skirt is held in place by the front control panel. See controller O&M for control panel mounting instructions.



CAUTION: This enclosure has a NEMA 1 rating. It is not intended for use in wet areas, and care should be used to locate unit a sufficient distance from emergency showers and eye wash stations.