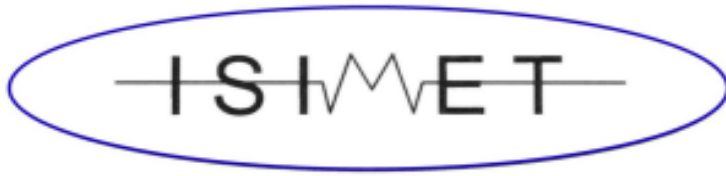


ISIMET, LLC

103 W. CJ Wise Parkway
PO Box 129
Naples, TX 75568

(903) 897-0737
toll free (866) 897-0737
Fax (903) 897-0740

www.ISIMET.com



Supplemental Surface Mounting Instructions for Many of the ISIMET Units

Installing the Unit

NOTE: This Supplemental Installation Guide may be used for S-Series, E-Series, LSP Units and Controllers that are surface mounted (excluding LA type units).

Surface mounted E-Series Enclosures may have a slightly different mounting technique.

CAUTION: Provided mounting hardware must be used. Care should be taken not to damage the unit when mounting and to verify the mounting means securely fastens the unit to the wall surface.

Prior to installation:

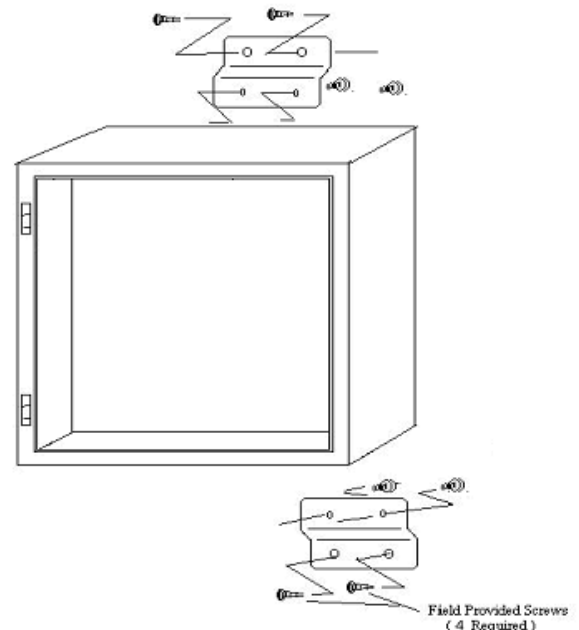
- Wall finishes should be complete.
- The wall cavity must have sufficient backing or support to ensure a firm mounting of the enclosure to the wall surface.

To install:

1. Secure the surface mount flanges to the back of the enclosure with the self-starting screws.
2. Use the field-provided screws to attach the enclosure by the flanges to the wall surface.
Level the enclosure.

Note:

24 X 24 and larger enclosures utilize four (4) each flanges for surface mounting.



Ceiling Placement of Enclosure:

If this unit is to be mounted in a concealed space such as a ceiling space, then ready access **MUST** be provided. A clear area at least 36 inches directly in front of the enclosure's opening must be provided. A clear access from the ceiling entry must be provided. Do not mount this unit above piping or other equipment or by methods that would restrict reasonable access for servicing.

CAUTION: This enclosure has a NEMA 1 rating. It is not intended for use in wet areas, and care should be used to locate unit a sufficient distance from emergency showers and eye wash stations.